

Electrical Pinch valves Typ GL5 and GL6



The following electromagnets are examples for electrical pinch valves or hose clamps realized in series.

Magnetbau Schramme developments are customer-specific. If you are searching for the right electromagnet or solenoid for your series project, simply contact us for the perfect solution.

Our team will help you - guaranteed.

Please note that we do not have „ex stock“ standard products, and can therefore only process inquiries for series.

Electrical pinch valve, hose clamp, Typ GL5

Function

Electromagnets designed as pinch valves (hose clamp) are primarily used in medical and analysis technology, in chemical processing, and measuring and control technology, as well as for reliable control of difficult materials. Additional application areas include liquid-filling systems in the food-engineering sector.

The spectrum of electromagnetic pinch valves ranges for hose diameters from 1.5 mm to 12 mm.

Charakteristik

The hose - max. 55 Shore hardness - emplaced in the valve is clamped shut by only one moving part; the special shape of the part ensures a very long service life for the hose. Due to a costly metallic coating, the surface of the hose-clamping valve is resistant to most chemicals. The low power consumption ensures minimal heating, preventing degradation of the respective medium. The hose-clamping valve can be supplied normally closed or normally open. Manual operation is possible via external switch. There is no dead space in the design.

The solenoid can be installed in any position. When employing these units, the [„Technical Introduction“](#) is to be observed.

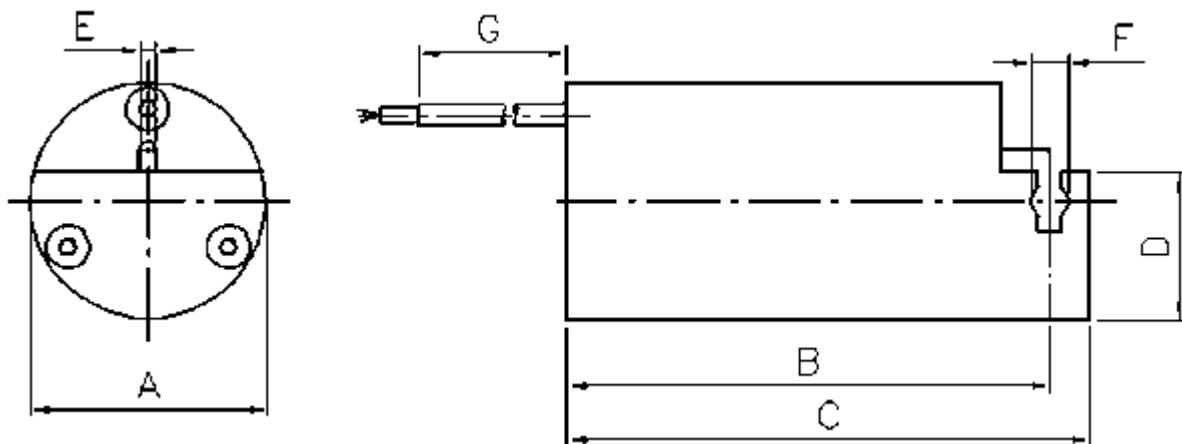
Nominal Data (recommended):

Nominal supply voltage:	U_N 24 VDC
Relative duty cycle:	100%
Insulation class:	"H" according to VDE 0580
Limiting temperature:	180 °C
Degree of protection:	IP 00 according to DIN 40050

Technical Data

Typ	Hose parameters 45/55 Shore			Valve parameters at 20°C		
	Ø Hose [mm]	Wall thickness [mm]	Hose material	Power [W]	Switching time pull-in/drop out [ms]	Weight [kg]
GL5 016	1,5	0,5	Silicon	2,2	55/30	0,10
GL5 020	2,4	0,7	PVC/Silicon/Viton	2,5	65/35	0,14
GL5 025	3,2	0,8	PVC/Silicon/Viton	4	80/40	0,23
GL5 032	3,5	0,8	PVC/Silicon/Viton	8	105/45	0,28
GL5 040	4,5	1,6	PVC/Silicon/Viton	11	120/50	0,50
GL5 050	6,4	1,6	PVC/Silicon/Viton	13	160/60	1,00
GL5 060	8,0	1,6	PVC/Silicon/Viton	18	240/75	2,00
GL5 070	9,5	2,4	PVC/Silicon/Viton	22	300/100	2,50

Installation drawing



Dimensions in mm

Typ	A	B	C	D	E	F	G
GL5 016	16	35	38	10	1,5	1,6	200
GL5 020	20	38,5	42	12	2	2,5	200
GL5 025	25	50	54	15,5	2	3,3	200
GL5 032	32	55	60	19,5	2	3,6	200
GL5 040	40	60	65	25	2	4,6	200
GL5 050	50	65	70	30	2	6,5	200
GL5 060	60	74	80	38	3	8,1	200
GL5 070	70	98	105	44	4	9,6	200

Electrical pinch valve, hose clamp, Typ GL6

Function

Electromagnets designed as pinch valves (hose clamp) are primarily used in medical and analysis technology, in chemical processing, and measuring and control technology, as well as for reliable control of difficult materials. Additional application areas include liquid-filling systems in the food-engineering sector.

The spectrum of electromagnetic pinch valves ranges for hose diameters from 1.5 mm to 12 mm.

Charakteristik

The hose - max. 55 Shore hardness - emplaced in the valve is clamped shut by only one moving part; the special shape of the part ensures a very long service life for the hose. Due to a costly metallic coating, the surface of the hose-clamping valve is resistant to most chemicals. The low power consumption ensures minimal heating, preventing degradation of the respective medium. The hose-clamping valve can be supplied normally closed or normally open. Manual operation is possible via external switch. There is no dead space in the design.

The solenoid can be installed in any position. When employing these units, the „[Technical Introduction](#)“ is to be observed.

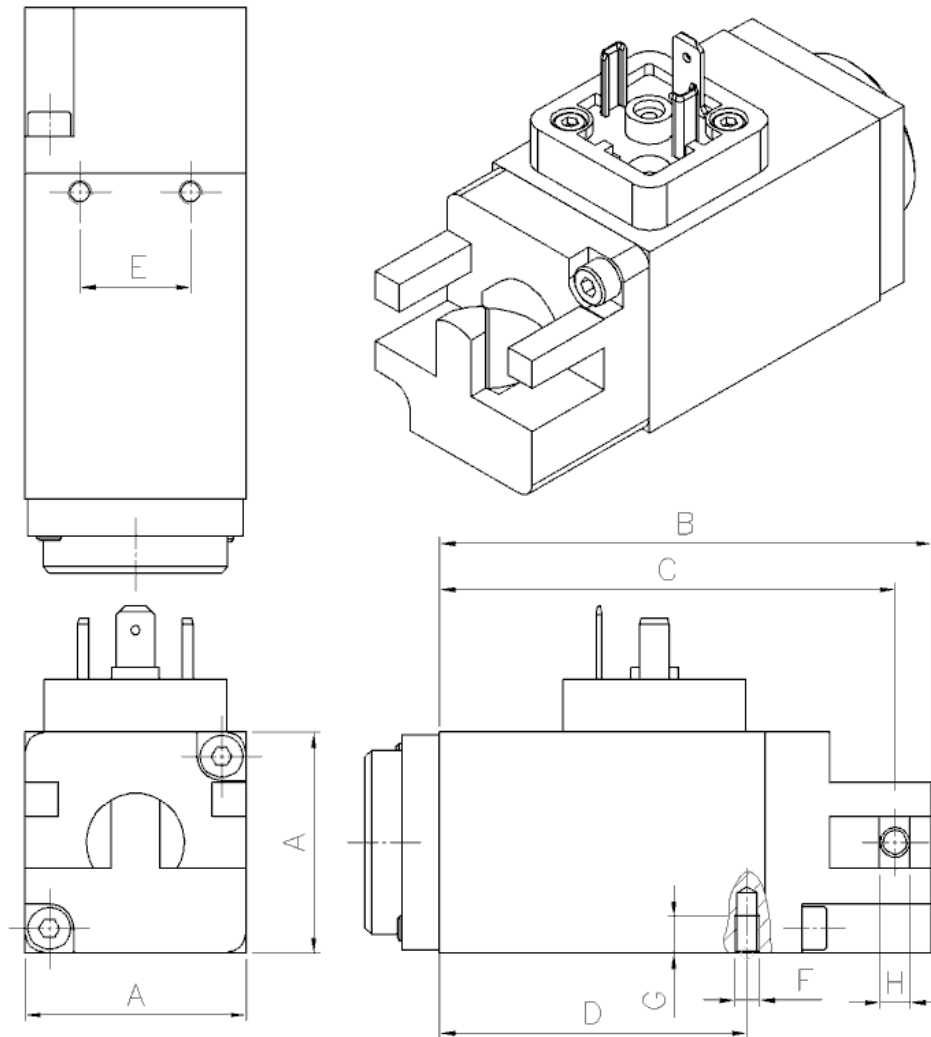
Nominal Data (recommended):

Nominal supply voltage:	U _N 24 VDC
Relative duty cycle:	100%
Insulation class:	"H" according to VDE 0580
Limiting temperature:	180 °C
Degree of protection:	IP 65 according to DIN 40050
Connector	DIN – connector to DIN 43650

Technische Daten:

Typ	Hose parameters 45/55 Shore			Valve parameters at 20°C		
	Wall thickness [mm]	Hose material	Wall thickness [mm]	Hose material	Anzugs/Abfall-Zeit in ms	Gewicht in kg ca.
GL6 016	1,75	0,75	Silicon	2,2	55/30	0,15
GL6 020	2,4	0,8	Silicon	2,5	65/35	0,17
GL6 025	3,2	0,8	PVC/Silicon/Viton	4.5	80/40	0,30
GL6 036	4,8	1,2	PVC/Silicon/Viton	11	115/50	0,42
GL6 040	4,5	1,6	PVC/Silicon/Viton	14	150/60	1,10
GL6 060	6,4	1,6	PVC/Silicon/Viton	18	220/75	2,40

Installation drawing



Dimensions in mm

Typenbezeichnung	A	B	C	D	E	F	G	H
GL6 016	16	62	58	46	12	M3	4	1,8
GL6 020	20	58	54	42	15	M3	4	2,5
GL6 025	25	60	56	42	15	M3	4	3,3
GL6 036	36	65	60	50	18	M4	6	4,9
GL6 045	45	70	64	50	25	M5	6	6,5
GL6 060	60	88	80	68	3,2	M6	8	8,2